



2026 TECHNICAL RULEBOOK

OFFICIAL'S DECISION IS FINAL.

GENERAL RULES

The general rules apply to each and every driver, mechanic, and/or pit personnel. Some items, obviously, may not apply to each class – it should be easy to determine which rules do not apply to you.

YOU ARE EXPECTED TO KNOW THE RULES.

The rules and/or regulations set forth herein are designed to provide for the orderly conduct of racing events and to establish minimum acceptable requirements for such events. These rules shall govern the condition of all events, and by participating in these events, all participants agree to comply with these rules. NO EXPRESS OR IMPLIED WARRANTY OF SAFETY SHALL RESULT FROM PUBLICATION OF, OR COMPLIANCE WITH, THESE RULES AND/OR REGULATIONS. They are intended as a guide for the conduct of the sport and are in no way a guarantee against injury or death to a participant, spectator, or official.

Penton Raceway officials shall be empowered to permit minor deviation from any of the specifications herein, or impose any further restrictions that, in their opinion, do not alter the minimum acceptable requirements. NO EXPRESS OR IMPLIED WARRANTY OF SAFETY SHALL RESULT FROM SUCH ALTERATION OF SPECIFICATIONS. Any interpretation or deviation of these rules is left to the discretion of the officials. Their decision is final.

Penton Raceway is private property. Any person on this property without permission of Penton Raceway is guilty of trespass and subject to the penalties prescribed by law. Through your registration or association, you have been given the authority to be on the property in conjunction with racing activities. However, Penton Raceway management reserves the right to make or cancel this authority at any time that is felt your presence or conduct is not in the best interest of the sport of auto racing, your fellow competitors, the fans, management and/or the employees of the raceway.

TRACK REGISTRATION

1. Cars may race in more than one class per race night with \$100 fee, exception: (1) 2 drivers may use the same car in 602 Late Model Sportsman and 602 Charger.
2. If a non-Penton class is competing, drivers may compete in both the Sanctioned Event Race and local class when competing with a **different** car.
3. It will be the responsibility of all drivers/teams to sign in and pay their entry fees PRIOR to the drivers' meeting. Sign in will be conducted at a designated location. ONLY a driver or crew representative shall be allowed to sign in the car that is at the track prior to cut off. Penton Raceway officials may draw for drivers/teams not present at the track under exceptional circumstances beyond the control of Penton Raceway officials or the drivers/teams being signed in. The pill draw will be closed once the drivers' meeting has started. **PENALTY FOR LATE SIGN-INS: First green flag lap will count as ONLY lap of qualifying.**
 - a. Drivers may sign in in-person at the registration room, contact someone at the track to sign in for them, or call/text 404-925-6777 (ONLY if driver

will not be at the track by the beginning of the driver's meeting).

4. Each driver must read and decide if he or she is going to sign the tax registration form and the competition and enforcement portion of the registration form to be eligible to compete in a Penton Raceway event. By doing so, the driver understands that the rules, enforcement calls, and decisions of Penton Raceway are final. Tax form must be completed before receiving pay on race night.
5. PLEASE NOTE: By Entering, Qualifying and/or Racing in a Penton Raceway event, you are accepting these rules as those under which you are prepared to race.
6. It is a condition of entry that the Driver's Registration Form is completed and handed in prior to the driver's first race of the season. If a driver changes cars or teams during the season, it is his/her responsibility to re-register. It is also the responsibility of the driver/team to fill out a Sponsorship Registration Card upon sign in. These cards will be used for the announcement and publication of sponsors throughout the season. If there is a change in sponsorship, it is the driver's/ team's responsibility to notify Penton Raceway Officials.

RAIN-OUT POLICY

1. Once a feature event is completed within any division after any qualifying has been completed, the racing program will be considered a complete show. Divisions not completing a feature event that evening will run a double feature program the following week, or as Penton Raceway officials determine the best scenario to make up. *No lineups will be set from the previous week's show.
 - a. The first feature will be run according to the line-up for the rain date or at the point the feature was halted.
 - b. The second feature will be run according to the blind draw held at the pit window prior to the new night's event start.
 - c. There will not be any qualifying events on double feature nights for the division running two features. Points and prize money will be issued for both features.
 - d. There will be NO REFUNDS OR EXCHANGES DUE TO RAINOUTS.
 - e. In the event that the following week is a scheduled special event, changes may be made to this policy to accommodate different sponsors and situations beyond our control.

PROMOTIONAL RELEASE

Any competitor, who wishes to compete at Penton Raceway during any race event or promotional event, consents to the use of their name, pictures of themselves and their race car, video of themselves and their race car for publicity, advertising and endorsements both before and after the events, and relinquishes any rights to photos or videos taken in connection with events and consents to the publication or sale of such photos as the raceway so desires.

TRACK SAFETY

1. Every driver should inspect the racing surface, and the race track, to learn any defects, obstructions, or anything which, in their opinion, may be unsafe, and report any such condition to Penton Raceway officials in writing, if found.
2. All drivers participating in any racing events are believed to have inspected the track and found all conditions satisfactory. If not, they should not race.
3. The participant further acknowledges that he/she is cognizant of the inherent risks associated with auto racing and assumes such risk with full knowledge and understanding.
4. Any aggression or recklessness shown towards any track official will result in immediate 2 week suspension, meaning, you will not race the next 2 races in any division.

ACCIDENT CLAIM AND/OR INJURY INFORMATION

1. All injuries must be immediately communicated to Penton Raceway officials for proper reporting.
2. If you are physically unable to provide necessary information to complete the reporting, a crewmember or other responsible parties shall provide all necessary information so proper insurance guidelines may be followed.
3. No claims will be considered unless reported prior to leaving Penton Raceway property that day.

MINORS – Parent/Guardian Release REQUIRED for Competition and Pit Areas

1. No one under the age of 18 will be allowed to drive, warm-up, or race a car unless they are able to furnish a minor release from their parents or legal guardians. ***Drivers under the age of 16 must have special permission from Penton raceway management.***
2. Due to insurance regulations anyone under the age of 18 entering the pit area, must have the proper parent/guardian release forms on file within the raceway.

RESERVED PIT SPACES FOR WEEKLY EVENTS

1. Pit spaces are reserved for race vehicles and their hauler/trailer. All vehicles, except the truck pulling the trailer, must be parked outside the pit areas.
2. Penton Raceway assumes no responsibility for any vehicles, trailers, race cars, equipment, parts or contents of vehicles while they are parked on raceway property.

CAR IDENTIFICATION

1. Car numbers must be no less than eighteen (18) inches high with a three (3) inch wide stroke. All numbers must be easy to read from the scoring tower. Numbers on the roof must face the tower.

RACE EVENT PROCEDURES

1. Track officials' decisions will be final.
2. Drivers MUST attend the driver's meeting. Drivers failing to do so may be penalized.
3. Safe speed must be used throughout pit area. No aggressive driving in the pits. Slinging of dirt or rocks with any vehicle will NOT be tolerated.
4. Track officials reserve the right to issue penalty including suspension, fine, probation or any combination thereof.
5. Anyone entering Penton Raceway must purchase a ticket. If you do not purchase a ticket, you may be banned from Penton Raceway indefinitely.
6. All children under the age of 14 in the pit area must be accompanied by an adult at all times. Failure to follow this rule could result in being removed from the pits and/or track. All pit entrants under the age of 18, must have parental consent/minor's release form on file with the raceway. See rule above.
7. Mufflers required in ALL classes – MUST register under 100 decibels.
8. No one will be allowed in the tower.
9. Anyone caught drinking, using marijuana, or other controlled substances will be suspended. All drivers may be subject to a Breathalyzer test. Any driver or pit crew member caught drinking alcoholic beverages at any race will automatically forfeit any prize money and points for that race.
10. No fighting allowed.
11. Any driver or crewmember that enters another driver's pit area will be considered the aggressor. If the incident happens away from either driver's pit area both drivers and pit crew will be considered aggressors. All participants will be subject to penalty. Drivers are responsible for the crew members.
12. Anyone using obscene language or gestures displayed where the fans in the stands can see or hear will be subject to penalty. Drivers are responsible for crewmembers.
13. Anyone that curses, threatens, or places their hands on a Penton Raceway official will lose pit access privileges for the remainder of the racing season.
14. Anyone driving in the pits must do so in a slow and responsible manner. Anyone that drives reckless or out-of-control at the discretion of officials could face penalties.
15. Drivers are responsible for their own draw. It is the responsibility of the driver to draw for the correct class and use his or her correct name.
16. In the event of a low car count in a division, Penton Raceway reserves the right to amend, reschedule, postpone, or delete the division.
17. Penton Raceway reserves the right to add weight to any car in order to offset any minor rule violation. Official's discretion can be utilized. All cars need to have 100 lbs of lead- painted white, pre-drilled with half-inch (1/2") bolts and large washers readily available to be added to the car in the event of a rules violation.
18. If a driver must use a back up vehicle after running a heat race or qualifying race, they will relinquish any position earned and must start behind all of the qualifying vehicles in the feature.
19. All drivers must have a RACEceiver at ALL times while on the track. It is the driver's responsibility to have a RACEceiver in working order.

20. No two-way radios allowed.

21. All cars are subject to inspection by track officials at any time.

22. Teams may either make the appropriate change(s) necessary to comply with track rules, or add lead as instructed by track officials to be eligible to race that night.
23. Track reserves the right to adjust weight in ALL classes at any time in the interest of competition for everyone.
24. Cars must be lined up in their starting position in the staging area before completion of the previous race. If you are not lined up in position before the completion of the previous race you are late and you will start at the rear of the field. There will be a Pit Official in the staging area to make this decision.
25. The initial green flag starts the race (see Race Starts/Double File Restarts below for more details).
26. In the event of a caution, any car(s) involved in the caution that come to a stop on the track surface must line up at the rear for the restart.
 - a. Gentleman's Rule: In the case of a single car spin out, if you accidentally spin a car out and under that caution tell an official that it was an accident, you will be placed at the rear of the field and the car that spun out will regain their spot.
27. To be the official leader of the race, leader plus 1 must have crossed the start/finish line.
28. When the caution flag has been displayed or said on RaceCeiver, cars that did not pass the start/finish line will be lined up according to the previous green flag lap.
29. At the discretion of the track officials, any car causing a caution or any car involved in the cause of the caution will be placed at the rear of the field for the restart.
30. Any car that purposely brings out the caution may be disqualified.
31. Any car that brings out a single car caution two times in the race will be black flagged from the race.
32. If a car sustains any damage on the racetrack that requires repair, the car must go to the pits for the necessary repairs.
33. Any car going to the pits while under caution or red flag must go to the rear of the field for the restart.
34. Work on race cars must be done in the pit area. No work is to be done to the cars on the track.
35. Any driver going to the pit area from the raceway under green must enter the pits in the safest location, as determined by Race Director. Any driver going to the pit area from the raceway under yellow or red must enter the pits at the safest location. The outside back gate will **NOT** be opened during an event for competitors, crew members, or fans. It will only be opened for Emergency Personnel or Penton Track Officials.
36. Any driver getting out of his/her car on the track under caution or red flag condition will be sent to the pits. The only time this rule will be waived is for safety reasons, fire, etc.
37. Absolutely no crewmembers allowed on track, for any reason, unless directed by a track official. Doing so will result in immediate disqualification, loss of points, and prize money.

38. Any unnecessary roughness on the track will result in the race being stopped and the person or persons responsible being parked and disqualified from the event.
39. Any driver who intentionally hits another car under caution, or after the race has ended, will be disqualified, lose all points and money awarded for the event, and may be suspended for up to two races.
40. After the race is complete, the top 3 finishers in all divisions must go directly to the scales to weigh in. All others must exit the track through the back pit gates. Do not pass the back gate and make an extra lap. If you do, you will be penalized.
41. The 1 pound per lap burn off is for green flag laps completed, not scheduled.
42. If you are deemed to be light at the scales after the feature, you will receive last place position prize money and points.
43. Any car found to be illegal will result in the loss of any posted points or money for that race.
44. Drivers refusing to tear down while being protested will lose all posted points and prize money for that night, and be placed on probation for two months. The second refusal will result in the loss of all posted points and prize money for the night and suspension for the remainder of the season.
45. No used tires shall be left on Penton Raceway property.
46. We do not hold prize money for anyone. It must be picked up the night of the race or arrangements need to be made the night of the race. Payout window will close 30 minutes after the final checkered flag of the night.

FLAG RULES

- Green: start of race
- Yellow: Caution – wreck or debris on track. Slow down; follow the car you were behind on the last lap. Do not race back to the start/finish line.
- Red: Emergency – STOP as quickly and safely as possible. Do not pass the flag stand when this flag is displayed. Failure to stop when the red flag is displayed will result in a one lap penalty or disqualification.
- Blue/Yellow: you are about to be lapped; move to the outside immediately.
- Black: Consultations – pull into the pits to receive instruction from an official.
- White: one lap to go
- Checkered: The race is over. Safely return to the pit area.

QUALIFYING

1. Group Qualifying
 - a. Amount of cars on the racetrack during each qualifying group is determined by car count and track officials.
 - b. Three (3) green flag laps will be counted for each car.
 - c. Fastest of 3 laps will determine the fastest qualifier and race positions.
 - d. Failure to exit the track after completion of qualifying laps will result in loss of your fastest lap. Your 2nd fastest lap will be used for line ups.
2. Car count will determine the need for Heat Races and/or Consolation Races.
3. Fast time in each division will have the option to choose inside pole vs

outside pole for the start of the race.

RACE STARTS

1. The initial green flag starts the race. Drivers are expected to remain in nose to tail, side-by-side formation until the drop of the green flag, as determined by the raceway starter. Jumping the start (moving out of line before the flag) will be considered a penalty and the offending driver or drivers will be penalized.
 - **No passing before the flagstand on any initial start or restart.**
2. In the event of a caution before the first lap is completed, the field will be lined up for a complete restart in the original grid order, provided there are no penalties to be assessed. If a driver goes to the pits while under caution or red flag, they must go to the rear of the field for the restart.
3. No jack rabbit starts or laying back.
4. On the initial start, if a caution occurs and only involves a single car, that car will restart on the tail. If multiple cars are a part of the caution, a complete double file restart will ensue.

DOUBLE FILE RESTARTS

1. All divisions, unless otherwise noted, will use double file restarts.
2. When a caution flag occurs after the first lap is complete, the cars will line back up single file. Once officials determine all cars are in the proper position, the signal will be given to the field and the leader will move to the front row alone. The car in 2nd place will “choose” inside vs outside. The following cars will line up opposite the car in front of them, i.e. 3rd out, 4th in, 5th out, etc.
3. On double file restarts, the leader starts the race in the center of turns 3 and 4.
4. Cars may not lay back in an attempt to get a run on the cars in front of them.
4. Any car that is judged to be jumping the start will be penalized two spots from where they were originally placed for the restart. If the same car is judged to be jumping a second time in the same race it will be sent to the rear of the field.
5. Only TWO double file restarts will be allowed per race. Once this has been exceeded, single file restarts will finish the race.

FUEL

1. Pump gas or racing fuel only. (RACING FUEL AVAILABLE AT TRACK)
 - a. Pump gas may contain up to 10% ethanol as allowed by law.
 - b. Gas must pass an acid test.
2. E85 Fuel is allowed.
 - a. Fuel must check within 1% at any time checked (MIN 84% Ethanol – MAX86%)
3. No alcohol, methanol, nitrous oxide, or chemical additives including, but not limited to, propylene oxide, nitromethane, nitro propane, or any nitrate

additives.

PROTESTS

1. All protests and claims must be filed in writing with the tech inspector within 5 minutes of the race winner crossing the scales.
2. Driver must finish in the top three and be on the lead lap to protest. Any of the top three finishers may be protested. Any car in the top three that is found illegal at the scales or during the track's regular tech may not protest. All protests must be filed along with the protest fee (CASH ONLY) to the inspector within 5 minutes of the completion of the race. The protested driver will have the right to protest a car that filed the original protest. A 5 minute time limit will apply after the inspector notifies the protested driver. You may only protest the car finishing in front of you, i.e. 3rd may NOT protest 1st unless you protest 1st AND 2nd, etc.
3. Refusing to teardown means you automatically forfeit all prize money and points for that race.
4. If you teardown and are found illegal, you automatically forfeit all prize money and points for that race and you will be placed on probation for the remainder of the season.
5. Teardown time: 2 hours maximum from the time the inspector gives permission to start. If more than one item is protested, an inspector may allow extra time for teardown.
6. The protested car may have three people in the pen at teardown: two to tear down and the third being driver, owner or representative. The protesting driver may have one representative in the pen. All persons in the pen will conduct themselves in a sportsmanlike manner. If not, the Technical Inspector can call off the protest, disqualify, or bar persons that do not behave accordingly.
7. If the driver refuses to teardown, the driver that filed the protest will be refunded one hundred percent of his or her money.
8. Inspectors discretion will be utilized in determining cars legality – ruling will be FINAL.
9. During teardown, all oil and antifreeze must be drained into an approved container located in the center of pits. Anyone caught dumping oil or anti-freeze on the ground will be suspended.
10. If a protest occurs, driver/team is responsible for the tools and teardown, not Penton Raceway.

PROTEST FEES

1. V-8 ENGINES
 - a. \$350 for one head and two valves (Track retains \$50).
 - b. \$400 for oil pan (Track retains \$50).
2. 4 CYLINDER ENGINES
 - a. \$250 for head and two valves (Track retains \$50).
 - b. \$350 for oil pan (Track retains \$50).
3. CRATE ENGINE
 - a. \$2000 (Track retains \$300)
4. ALL CLASSES

- a. \$150 flywheel and clutch (Track retains \$25).
- b. \$50 for carburetor (Track retains \$25)
- c. \$50 to check wheelbase (Track retains \$25)
- d. \$150 for rear end (Track retains \$50)
- e. \$150 tire analysis fee (Track retains all and pays for test)

TRACTION CONTROL DEVICES

1. All electronic and/or computerized wheel spin and/or ignition retardation and/or acceleration limiting and/or traction control devices of any type will not be permitted.
2. Adjustable ping control devices, dial a chip controls, timing controls and/or automated throttle controls will not be permitted.
3. Adjustable restrictor plates will not be permitted.
4. Remote control components of any type will not be permitted.
5. Radios and/or devices for transmitting the voice and/or data will not be permitted.
6. Data acquisition systems and/or electronic or digital timing devices will not be permitted.

DISQUALIFICATION RULES

1. Weight, motor, or illegal parts found by the technical inspector will result in forfeit of all money and points for the night.
2. Body measurement infractions will result in a 2 spot penalty at any time during the scheduled event.

TRANSPONDERS

1. Transponders must be run for every event to be scored by track officials. They are available for rent at the track or you may bring your own Westhold (yellow) transponder.
2. If transponders rented from the track are damaged upon return, driver is responsible for paying for replacement (\$250)
3. Pay will not be given until transponder is returned.
4. Transponders will be mounted on the LF frame rail in front of the crossmember.

SEASON POINTS

It is required that all drivers must register with the raceway and give full information including: Name, Social Security/Tax Identification number that you wish for your earnings reported under, address, and a current phone number.

Points for Feature Races will be awarded as follows (all divisions)

FINISHING SPOT:

1. 100	13. 68
2. 95	14. 66
3. 91	15. 64
4. 88	16. 62
5. 85	17. 60
6. 82	18. 58
7. 80	19. 56
8. 78	20. 54
9. 76	21. 53
10. 74	22. 52
11. 72	23. 51
12. 70	24. 50

*25th finishing spot and lower will be minus 1 point per position.

*40 points will be awarded for attempting to qualify/heat race.

DRIVERS MUST COMPETE IN 80% OF POINTS QUALIFYING RACES TO BE ELIGIBLE TO RECEIVE SEASON POINTS REWARD. EACH DRIVER MAY ONLY RECEIVE END OF SEASON POINTS FOR ONE CLASS. CLASS MUST BE DECLARED WITH JENNA BY JUNE 1.

NOTE: *Points are awarded to the driver, not the car.*

PENTON SAFETY/WEIGHT BREAKS/PENALTIES

APPLIES TO ALL CLASSES

1. Must have a full-containment seat or Hans device or Hybrid device. If these are not being used, a 50 lb penalty will apply.
2. Must have windshield bars (4 MINIMUM).
3. Must have approved seat belt mounts.
4. Must have approved lead mounts (2 bolts per piece of ballast). Must be painted white.
5. Fire bottle mandatory.
6. ALL CARS MUST HAVE WEIGHT POSTED, INCLUDING BREAKS AND PENALTIES.

PENTON SUSPENSION RULES

APPLIES TO ALL CLASSES

1. No spring rods
2. No through shaft shocks
3. No rubber mounted 4 bar rods

PENTON MOTOR RULES

APPLIES TO ALL CLASSES

1. No programmable MSD boxes

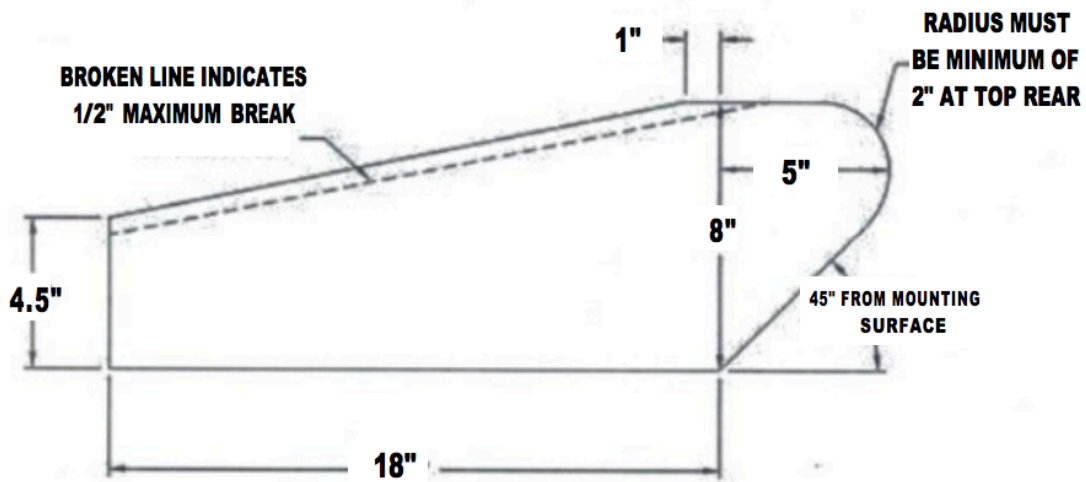
PENTON BODY RULES

APPLIES TO HOBBY, 602, 604, LIMITED, AND SUPER

1. Across the front of the hood, nose piece height maximum 4" drop
2. At back of hood, maximum 2" drop
3. Deck height behind seat, maximum 5" drop
4. 8" rear spoiler, 1/4" hinge max. If bigger hinge, must run a shorter rear spoiler.
5. Figures 1,2,3,4 body rules apply.

FIGURE 1

DIRT LATE MODEL SPOILER SUPPORTS

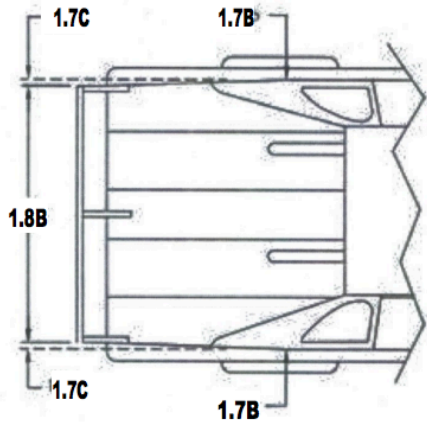


**NO MORE THAN THREE (3) SPOILER SUPPORTS PERMITTED. FRONT
EDGE OF SUPPORTS MUST BE IN LINE**
Must match template.

DIMENSIONS HAVE ZERO TOLERANCE

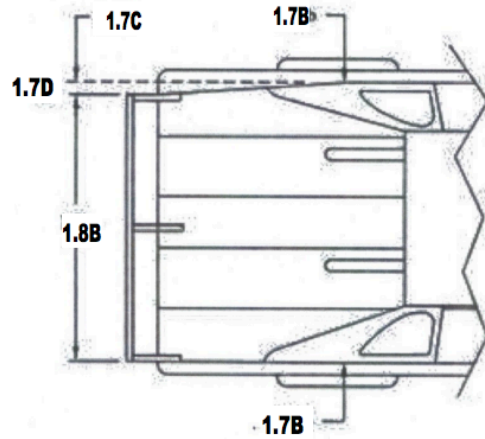
FIGURE 2

LATE MODEL REAR QUARTER PANEL OPTIONS



OPTION 1

REAR DECKS MUST TAPER FROM SEVENTY-SIX INCHES (76"), AS MEASURED AT THE TOP OVER THE REAR HUBS, UNIFORMLY BACK TO SEVENTY-TWO INCHES (72") AT THE SPOILER, EQUALLY ON BOTH SIDES

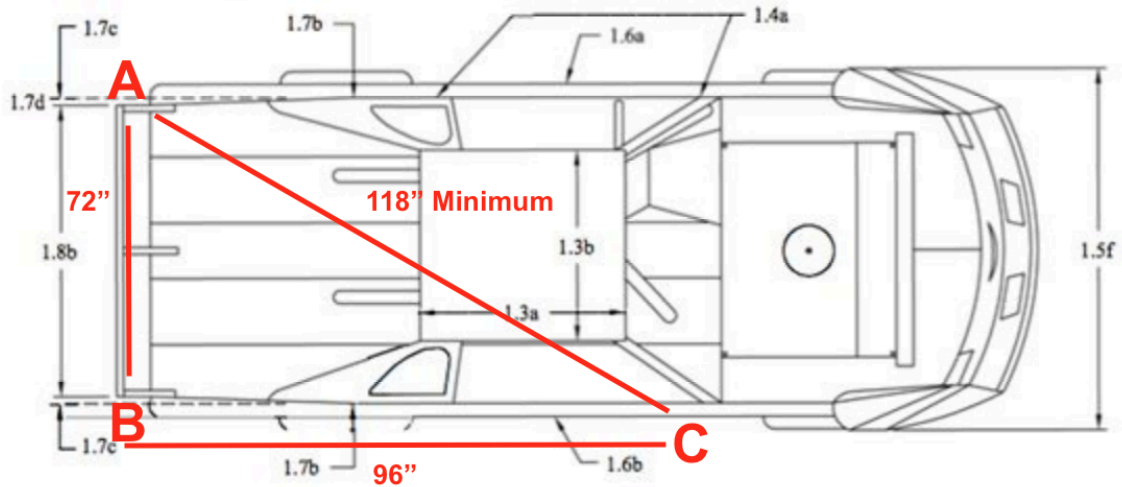


OPTION 2

REAR DECKS MUST TAPER FROM SEVENTY-SIX INCHES (76"), AS MEASURED AT THE TOP OVER THE REAR HUBS, UNIFORMLY BACK TO SEVENTY-TWO INCHES (72") AT THE SPOILER, EQUALLY ON THE LEFT SIDE ONLY

FIGURE 3

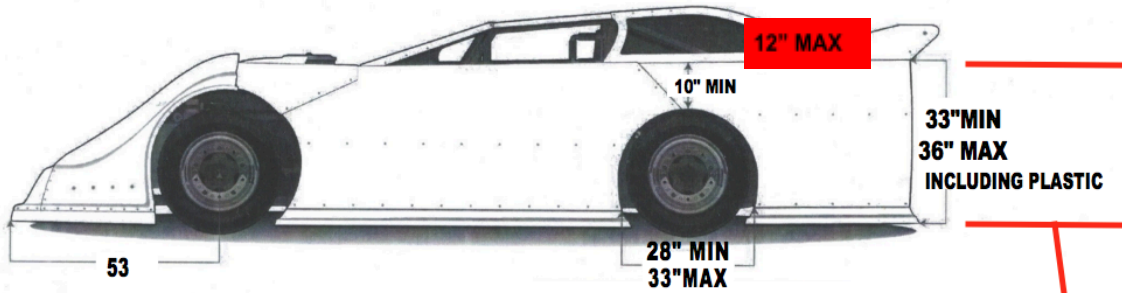
- 1.3a - Roof length must be a minimum of forty-four inches (44") to a maximum of fifty-four inches (54").
- 1.3b - Roof width must be a minimum of forty-eight inches (48") to a maximum of fifty-two inches (52").
- 1.4a - All roof side panels must extend to edge of decking.
- 1.5f - Front fender flares cannot extend beyond front tire more than one inch (1") in width with the wheels pointed straight.
- 1.6a - Door cannot exceed seventy-six inches (77") in it's entirety at top of door.
- 1.6b - Door cannot exceed eighty-two inches (90") in width at the bottom in the center of car.
- 1.7b - The quarter panels cannot exceed seventy-six inches (76") in width at any point behind the center of the rear hub as measured at the top.
- 1.7c - Rear decks must taper from seventy-six inches (76"), as measured at the top over the rear hubs, uniformly back to seventy-two inches (72)" at the spoiler, equally on both sides.
- 1.7d - Four inches (4")
- 1.8b - Maximum spoiler width is seventy-two inches (72").



**Cars must abide by Universal Rule (See A/B/C above)
The line from A/B must be parallel to the frame.
Penalty of 20 lb. per inch over guidelines.**

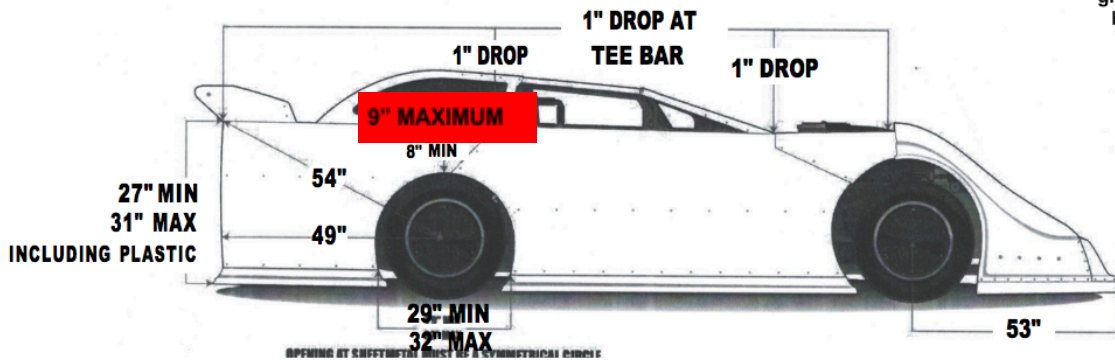
**LATE MODEL
TOP VIEW DIMENSIONS**

FIGURE 4



OPENING AT SHEETMETAL MUST BE A SYMMETRICAL CIRCLE

From top of deck bar to ground should be 38" MAX with 1" tolerance



OPENING AT SHEETMETAL MUST BE A SYMMETRICAL CIRCLE

